

NBR IEC:
IP65

Aplicações

- Usado para junção, derivação e passagem de condutores elétricos.
- Permite acesso aos condutores para manutenção.

Características

- Tampa fixada ao corpo por parafusos.
- Junta de vedação fornecida para assegurar uma vedação à prova de água.
- Disponível em cinco diferentes configurações de entrada.
- Roscas NPT e BSP: Ø 1/2" a Ø 1-1/2".

Materiais padrão

- Corpo e tampa: liga de alumínio fundido copperfree
- Parafusos e arruelas planas: aço inoxidável AISI 304
- Junta de vedação: borracha nitrílica

Acabamentos padrão

- Revestimento cinza anticorrosivo REVESTEEL®; proporciona excelente resistência à corrosão química, mecânica e por exposição UV

Opções

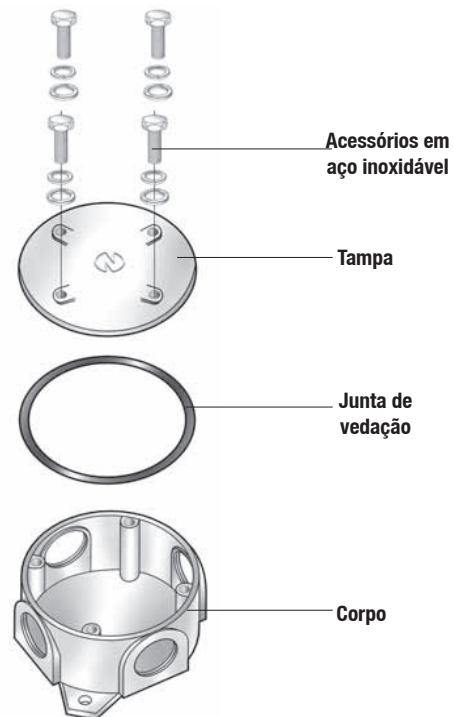
- Para roscas BSP, substitua a letra **N** pela letra **B**, na 11ª posição; por exemplo: NTCL210E01**B**.

Certificações de Conformidade Brasileiras - NBR IEC

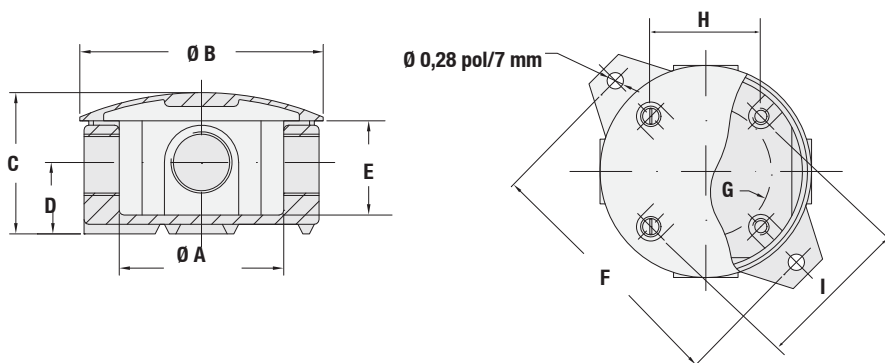
- Grau de proteção contra penetração (sólidos e líquidos): IP65
- Outras normas: ABNT NBR IEC 60529 (IP)



Detalhes construtivos



NBR IEC:
IP65



Ø Rosca	Dimensões mm (pol)									Peso kg (libras)	Volume dm ³ (pol ³)	Código ①
	A	B	C	D	E	F	Diâmetro					
1/2"	74 (2,91)	98 (3,86)	56 (2,2)	23 (0,91)	41 (1,61)	104 (4,09)	68 (2,68)	54 (2,13)	76 (2,99)	0,33 (0,73)	0,73 (44,5)	NTCL210E01N
3/4"	74 (2,91)	98 (3,86)	56 (2,2)	23 (0,91)	41 (1,61)	104 (4,09)	68 (2,68)	54 (2,13)	76 (2,99)	0,33 (0,73)	0,73 (44,5)	NTCL210E02N
1/2"	85 (3,35)	108 (4,25)	61 (2,4)	25 (0,98)	41 (1,61)	112 (4,41)	75 (2,95)	60 (2,36)	85 (3,35)	0,46 (1,01)	0,91 (55,5)	NTCL220E01N
3/4"	85 (3,35)	108 (4,25)	61 (2,4)	25 (0,98)	41 (1,61)	112 (4,41)	75 (2,95)	60 (2,36)	85 (3,35)	0,44 (0,97)	0,91 (55,5)	NTCL220E02N
1"	85 (3,35)	108 (4,25)	61 (2,4)	25 (0,98)	41 (1,61)	112 (4,41)	75 (2,95)	60 (2,36)	85 (3,35)	0,41 (0,9)	0,91 (55,5)	NTCL220E03N
1/2"	100 (3,94)	127 (5)	72 (2,83)	31 (1,22)	50 (1,97)	138 (5,43)	90 (3,54)	73 (2,87)	102 (4,02)	0,67 (1,48)	1,54 (94)	NTCL230E01N
3/4"	100 (3,94)	127 (5)	72 (2,83)	31 (1,22)	50 (1,97)	138 (5,43)	90 (3,54)	73 (2,87)	102 (4,02)	0,69 (1,52)	1,54 (94)	NTCL230E02N
1"	100 (3,94)	127 (5)	72 (2,83)	31 (1,22)	50 (1,97)	138 (5,43)	90 (3,54)	73 (2,87)	102 (4,02)	0,65 (1,43)	1,54 (94)	NTCL230E03N
1-1/4"	100 (3,94)	127 (5)	72 (2,83)	31 (1,22)	50 (1,97)	138 (5,43)	90 (3,54)	73 (2,87)	102 (4,02)	0,64 (1,41)	1,54 (94)	NTCL230E04N
1/2"	88 (3,46)	127 (5)	87 (3,43)	34 (1,34)	61 (2,4)	142 (5,59)	90 (3,54)	71 (2,8)	100 (3,94)	1,23 (2,71)	2,12 (129,4)	NTCL240E01N
3/4"	88 (3,46)	127 (5)	87 (3,43)	34 (1,34)	61 (2,4)	142 (5,59)	90 (3,54)	71 (2,8)	100 (3,94)	1,22 (2,69)	2,12 (129,4)	NTCL240E02N
1"	88 (3,46)	127 (5)	87 (3,43)	34 (1,34)	61 (2,4)	142 (5,59)	90 (3,54)	71 (2,80)	100 (3,94)	1,57 (3,46)	2,12 (129,4)	NTCL240E03N
1-1/4"	88 (3,46)	127 (5)	87 (3,43)	34 (1,34)	61 (2,4)	142 (5,59)	90 (3,54)	71 (2,8)	100 (3,94)	1,27 (2,8)	2,12 (129,4)	NTCL240E04N
1-1/2"	88 (3,46)	127 (5)	87 (3,43)	34 (1,34)	61 (2,4)	142 (5,59)	90 (3,54)	71 (2,8)	100 (3,94)	1,17 (2,58)	2,12 (129,4)	NTCL240E05N



Tipo E

① Para rosca BSP, substitua a letra N pela letra B na 11ª posição; por exemplo: NTCL210E01B.

NBR IEC:
IP65

Invólucros e Caixas de junção

CAIXAS COM JUNÇÃO E SAÍDA À PROVA DE TEMPO IEC NBR



Tipo C



Tipo L

Ø Rosca	Dimensões mm (pol)									Peso kg (libras)	Volume dm ³ (pol ³)	Código ①
	A	B	C	D	E	F	G	H	I			
1/2"	74 (2,91)	98 (3,86)	56 (2,2)	23 (0,91)	41 (1,61)	104 (4,09)	68 (2,68)	54 (2,13)	76 (2,99)	0,36 (0,79)	0,73 (44,5)	NTCL210C01N
3/4"	74 (2,91)	98 (3,86)	56 (2,2)	23 (0,91)	41 (1,61)	104 (4,09)	68 (2,68)	54 (2,13)	76 (2,99)	0,35 (0,77)	0,73 (44,5)	NTCL210C02N
1/2"	85 (3,35)	108 (4,25)	61 (2,40)	25 (0,98)	41 (1,61)	112 (4,41)	75 (2,95)	60 (2,36)	85 (3,35)	0,45 (0,99)	0,91 (55,5)	NTCL220C01N
3/4"	85 (3,35)	108 (4,25)	61 (2,4)	25 (0,98)	41 (1,61)	112 (4,41)	75 (2,95)	60 (2,36)	85 (3,35)	0,43 (0,95)	0,91 (55,5)	NTCL220C02N
1"	85 (3,35)	108 (4,25)	61 (2,4)	25 (0,98)	41 (1,61)	112 (4,41)	75 (2,95)	60 (2,36)	85 (3,35)	0,4 (0,88)	0,91 (55,5)	NTCL220C03N
1/2"	100 (3,94)	127 (5)	72 (2,83)	31 (1,22)	50 (1,97)	138 (5,43)	90 (3,54)	73 (2,87)	102 (4,02)	0,66 (1,46)	1,54 (94)	NTCL230C01N
3/4"	100 (3,94)	127 (5)	72 (2,83)	31 (1,22)	50 (1,97)	138 (5,43)	90 (3,54)	73 (2,87)	102 (4,02)	0,67 (1,48)	1,54 (94)	NTCL230C02N
1"	100 (3,94)	127 (5)	72 (2,83)	31 (1,22)	50 (1,97)	138 (5,43)	90 (3,54)	73 (2,87)	102 (4,02)	0,64 (1,41)	1,54 (94)	NTCL230C03N
1-1/4"	100 (3,94)	127 (5)	72 (2,83)	31 (1,22)	50 (1,97)	138 (5,43)	90 (3,54)	73 (2,87)	102 (4,02)	0,62 (1,37)	1,54 (94)	NTCL230C04N
1/2"	88 (3,46)	127 (5)	87 (3,43)	34 (1,34)	61 (2,4)	142 (5,59)	90 (3,54)	71 (2,8)	100 (3,94)	1,22 (2,69)	2,12 (129,4)	NTCL240C01N
3/4"	88 (3,46)	127 (5)	87 (3,43)	34 (1,34)	61 (2,4)	142 (5,59)	90 (3,54)	71 (2,8)	100 (3,94)	1,21 (2,67)	2,12 (129,4)	NTCL240C02N
1"	88 (3,46)	127 (5)	87 (3,43)	34 (1,34)	61 (2,4)	142 (5,59)	90 (3,54)	71 (2,8)	100 (3,94)	1,27 (2,8)	2,12 (129,4)	NTCL240C03N
1-1/4"	88 (3,46)	127 (5)	87 (3,43)	34 (1,34)	61 (2,4)	142 (5,59)	90 (3,54)	71 (2,8)	100 (3,94)	1,12 (2,47)	2,12 (129,4)	NTCL240C04N
1-1/2"	88 (3,46)	127 (5)	87 (3,43)	34 (1,34)	61 (2,4)	142 (5,59)	90 (3,54)	71 (2,8)	100 (3,94)	1,09 (2,4)	2,12 (129,4)	NTCL240C05N
1/2"	74 (2,91)	98 (3,86)	56 (2,2)	23 (0,91)	41 (1,61)	104 (4,09)	68 (2,68)	54 (2,13)	76 (2,99)	0,33 (0,73)	0,73 (44,5)	NTCL210L01N
3/4"	74 (2,91)	98 (3,86)	56 (2,2)	23 (0,91)	41 (1,61)	104 (4,09)	68 (2,68)	54 (2,13)	76 (2,99)	0,32 (0,71)	0,73 (44,5)	NTCL210L02N
1/2"	85 (3,35)	108 (4,25)	61 (2,4)	25 (0,98)	41 (1,61)	112 (4,41)	75 (2,95)	60 (2,36)	85 (3,35)	0,45 (0,99)	0,91 (55,5)	NTCL220L01N
3/4"	85 (3,35)	108 (4,25)	61 (2,4)	25 (0,98)	41 (1,61)	112 (4,41)	75 (2,95)	60 (2,36)	85 (3,35)	0,44 (0,97)	0,91 (55,5)	NTCL220L02N
1"	85 (3,35)	108 (4,25)	61 (2,4)	25 (0,98)	41 (1,61)	112 (4,41)	75 (2,95)	60 (2,36)	85 (3,35)	0,4 (0,88)	0,91 (55,5)	NTCL220L03N
1/2"	100 (3,94)	5 (127)	72 (2,83)	31 (1,22)	50 (1,97)	138 (5,43)	90 (3,54)	73 (2,87)	102 (4,02)	0,66 (1,46)	1,54 (94)	NTCL230L01N
3/4"	100 (3,94)	5 (127)	72 (2,83)	31 (1,22)	50 (1,97)	138 (5,43)	90 (3,54)	73 (2,87)	102 (4,02)	0,67 (1,48)	1,54 (94)	NTCL230L02N
1"	100 (3,94)	5 (127)	72 (2,83)	31 (1,22)	50 (1,97)	138 (5,43)	90 (3,54)	73 (2,87)	102 (4,02)	0,64 (1,41)	1,54 (94)	NTCL230L03N
1-1/4"	100 (3,94)	5 (127)	72 (2,83)	31 (1,22)	50 (1,97)	138 (5,43)	90 (3,54)	73 (2,87)	102 (4,02)	0,62 (1,37)	1,54 (94)	NTCL230L04N
1/2"	88 (3,46)	5 (127)	87 (3,43)	34 (1,34)	61 (2,4)	142 (5,59)	90 (3,54)	71 (2,8)	100 (3,94)	1,22 (2,69)	2,12 (129,4)	NTCL240L01N
3/4"	88 (3,46)	5 (127)	87 (3,43)	34 (1,34)	61 (2,4)	142 (5,59)	90 (3,54)	71 (2,8)	100 (3,94)	1,2 (2,65)	2,12 (129,4)	NTCL240L02N
1"	88 (3,46)	5 (127)	87 (3,43)	34 (1,34)	61 (2,4)	142 (5,59)	90 (3,54)	71 (2,8)	100 (3,94)	1,27 (2,8)	2,12 (129,4)	NTCL240L03N
1-1/4"	88 (3,46)	5 (127)	87 (3,43)	34 (1,34)	61 (2,4)	142 (5,59)	90 (3,54)	71 (2,8)	100 (3,94)	1,12 (2,47)	2,12 (129,4)	NTCL240L04N
1-1/2"	88 (3,46)	5 (127)	87 (3,43)	34 (1,34)	61 (2,4)	142 (5,59)	90 (3,54)	71 (2,8)	100 (3,94)	1,09 (2,4)	2,12 (129,4)	NTCL240L05N

① Para roscas BSP, substitua a letra **N** pela letra **B** na 11ª posição; por exemplo: NTCL210E01B.

NBR IEC:
IP65

Ø Rosca	Dimensões mm (pol)									Peso kg (libras)	Volume dm ³ (pol ³)	Código ①
	A	B	C	D	E	F	G	H	I			
1/2"	74 (2,91)	98 (3,86)	56 (2,2)	23 (0,91)	41 (1,61)	104 (4,09)	68 (2,68)	54 (2,13)	76 (2,99)	0,32 (0,71)	0,73 (44,5)	NTCL210T01N
3/4"	74 (2,91)	98 (3,86)	56 (2,2)	23 (0,91)	41 (1,61)	104 (4,09)	68 (2,68)	54 (2,13)	76 (2,99)	0,31 (0,68)	0,73 (44,5)	NTCL210T02N
1/2"	85 (3,35)	108 (4,25)	61 (2,40)	25 (0,98)	41 (1,61)	112 (4,41)	75 (2,95)	60 (2,36)	85 (3,35)	0,44 (0,97)	0,91 (55,5)	NTCL220T01N
3/4"	85 (3,35)	108 (4,25)	61 (2,40)	25 (0,98)	41 (1,61)	112 (4,41)	75 (2,95)	60 (2,36)	85 (3,35)	0,43 (0,95)	0,91 (55,5)	NTCL220T02N
1"	85 (3,35)	108 (4,25)	61 (2,40)	25 (0,98)	41 (1,61)	112 (4,41)	75 (2,95)	60 (2,36)	85 (3,35)	0,39 (0,86)	0,91 (55,5)	NTCL220T03N
1/2"	100 (3,94)	5 (127)	72 (2,83)	31 (1,22)	50 (1,97)	138 (5,43)	90 (3,54)	73 (2,87)	102 (4,02)	0,65 (1,43)	1,54 (94,0)	NTCL230T01N
3/4"	100 (3,94)	5 (127)	72 (2,83)	31 (1,22)	50 (1,97)	138 (5,43)	90 (3,54)	73 (2,87)	102 (4,02)	0,65 (1,43)	1,54 (94,0)	NTCL230T02N
1"	100 (3,94)	5 (127)	72 (2,83)	31 (1,22)	50 (1,97)	138 (5,43)	90 (3,54)	73 (2,87)	102 (4,02)	0,62 (1,37)	1,54 (94,0)	NTCL230T03N
1-1/4"	100 (3,94)	5 (127)	72 (2,83)	31 (1,22)	50 (1,97)	138 (5,43)	90 (3,54)	73 (2,87)	102 (4,02)	0,59 (1,3)	1,54 (94)	NTCL230T04N
1/2"	88 (3,46)	5 (127)	87 (3,43)	34 (1,34)	61 (2,4)	142 (5,59)	90 (3,54)	71 (2,8)	100 (3,94)	1,21 (2,67)	2,12 (129,4)	NTCL240T01N
3/4"	88 (3,46)	5 (127)	87 (3,43)	34 (1,34)	61 (2,4)	142 (5,59)	90 (3,54)	71 (2,8)	100 (3,94)	1,18 (2,6)	2,12 (129,4)	NTCL240T02N
1"	88 (3,46)	5 (127)	87 (3,43)	34 (1,34)	61 (2,4)	142 (5,59)	90 (3,54)	71 (2,8)	100 (3,94)	1,15 (2,54)	2,12 (129,4)	NTCL240T03N
1-1/4"	88 (3,46)	5 (127)	87 (3,43)	34 (1,34)	61 (2,4)	142 (5,59)	90 (3,54)	71 (2,8)	100 (3,94)	1,06 (2,34)	2,12 (129,4)	NTCL240T04N
1-1/2"	88 (3,46)	5 (127)	87 (3,43)	34 (1,34)	61 (2,4)	142 (5,59)	90 (3,54)	71 (2,8)	100 (3,94)	1,02 (2,25)	2,12 (129,4)	NTCL240T05N
1/2"	74 (2,91)	98 (3,86)	56 (2,2)	23 (0,91)	41 (1,61)	104 (4,09)	68 (2,68)	54 (2,13)	76 (2,99)	0,32 (0,71)	0,73 (44,5)	NTCL210X01N
3/4"	74 (2,91)	98 (3,86)	56 (2,2)	23 (0,91)	41 (1,61)	104 (4,09)	68 (2,68)	54 (2,13)	76 (2,99)	0,3 (0,66)	0,73 (44,5)	NTCL210X02N
1/2"	85 (3,35)	108 (4,25)	61 (2,4)	25 (0,98)	41 (1,61)	112 (4,41)	75 (2,95)	60 (2,36)	85 (3,35)	0,43 (0,95)	0,91 (55,5)	NTCL220X01N
3/4"	85 (3,35)	108 (4,25)	61 (2,4)	25 (0,98)	41 (1,61)	112 (4,41)	75 (2,95)	60 (2,36)	85 (3,35)	0,41 (0,9)	0,91 (55,5)	NTCL220X02N
1"	85 (3,35)	108 (4,25)	61 (2,4)	25 (0,98)	41 (1,61)	112 (4,41)	75 (2,95)	60 (2,36)	85 (3,35)	0,38 (0,84)	0,91 (55,5)	NTCL220X03N
1/2"	100 (3,94)	5 (127)	72 (2,83)	31 (1,22)	50 (1,97)	138 (5,43)	90 (3,54)	73 (2,87)	102 (4,02)	0,64 (1,41)	1,54 (94)	NTCL230X01N
3/4"	100 (3,94)	5 (127)	72 (2,83)	31 (1,22)	50 (1,97)	138 (5,43)	90 (3,54)	73 (2,87)	102 (4,02)	0,6 (1,32)	1,54 (94)	NTCL230X02N
1"	100 (3,94)	5 (127)	72 (2,83)	31 (1,22)	50 (1,97)	138 (5,43)	90 (3,54)	73 (2,87)	102 (4,02)	0,61 (1,34)	1,54 (94)	NTCL230X03N
1-1/4"	100 (3,94)	5 (127)	72 (2,83)	31 (1,22)	50 (1,97)	138 (5,43)	90 (3,54)	73 (2,87)	102 (4,02)	0,56 (1,23)	1,54 (94)	NTCL230X04N
1/2"	88 (3,46)	5 (127)	87 (3,43)	34 (1,34)	61 (2,4)	142 (5,59)	90 (3,54)	71 (2,8)	100 (3,94)	1,2 (2,65)	2,12 (129,4)	NTCL240X01N
3/4"	88 (3,46)	5 (127)	87 (3,43)	34 (1,34)	61 (2,4)	142 (5,59)	90 (3,54)	71 (2,8)	100 (3,94)	1,16 (2,56)	2,12 (129,4)	NTCL240X02N
1"	88 (3,46)	5 (127)	87 (3,43)	34 (1,34)	61 (2,4)	142 (5,59)	90 (3,54)	71 (2,8)	100 (3,94)	1,12 (2,47)	2,12 (129,4)	NTCL240X03N
1-1/4"	88 (3,46)	5 (127)	87 (3,43)	34 (1,34)	61 (2,4)	142 (5,59)	90 (3,54)	71 (2,8)	100 (3,94)	1 (2,2)	2,12 (129,4)	NTCL240X04N
1-1/2"	88 (3,46)	5 (127)	87 (3,43)	34 (1,34)	61 (2,4)	142 (5,59)	90 (3,54)	71 (2,8)	100 (3,94)	0,94 (2,07)	2,12 (129,4)	NTCL240X05N



Tipo T



Tipo X

① Para roscas BSP, substitua a letra **N** pela letra **B** na 11ª posição; por exemplo: NTCL210E01B.